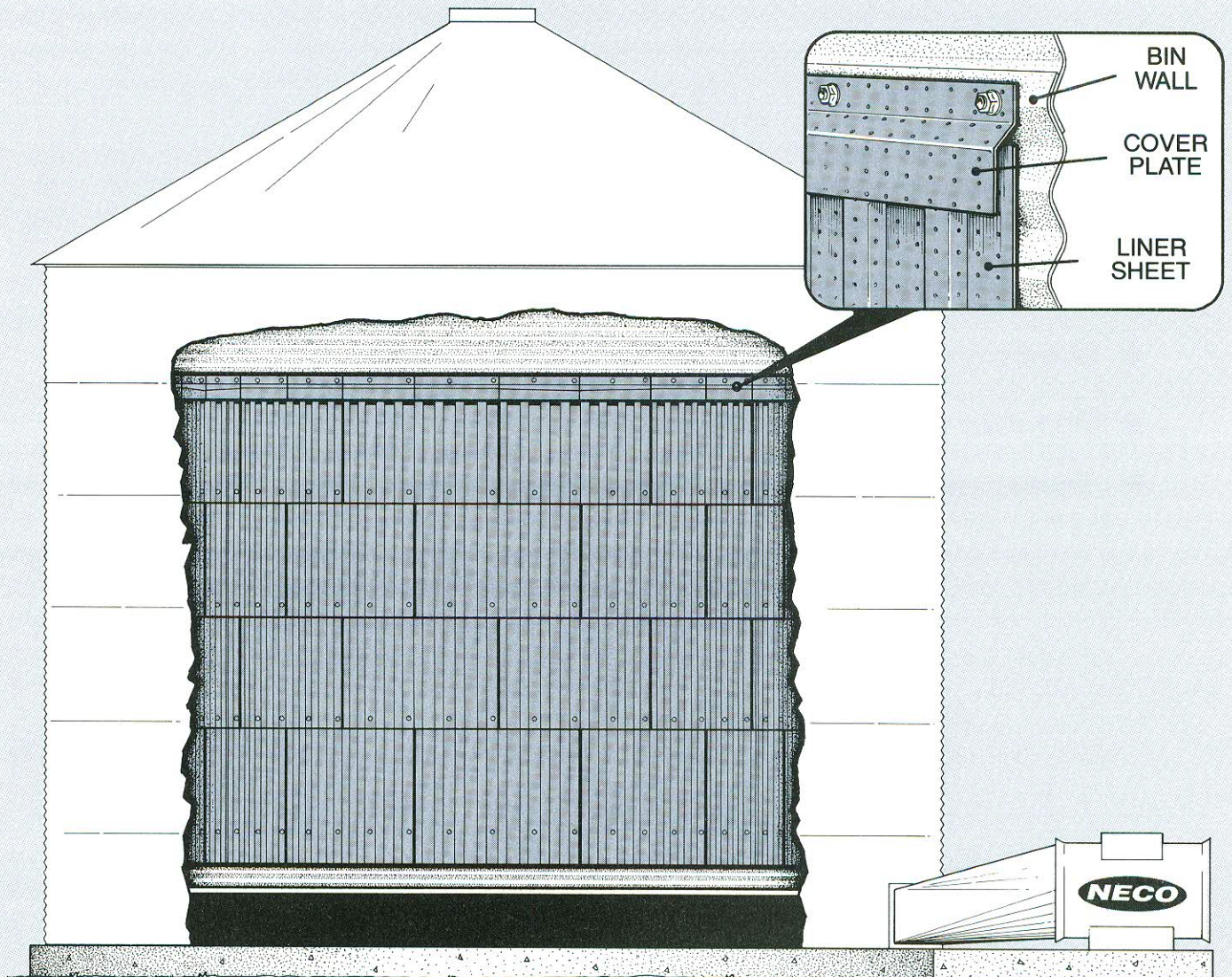




# BIN LINERS

**NOW A BIN LINER THAT'S TRULY EASY TO INSTALL!**

Sheets are pre-punched to slip over existing bin bolts.

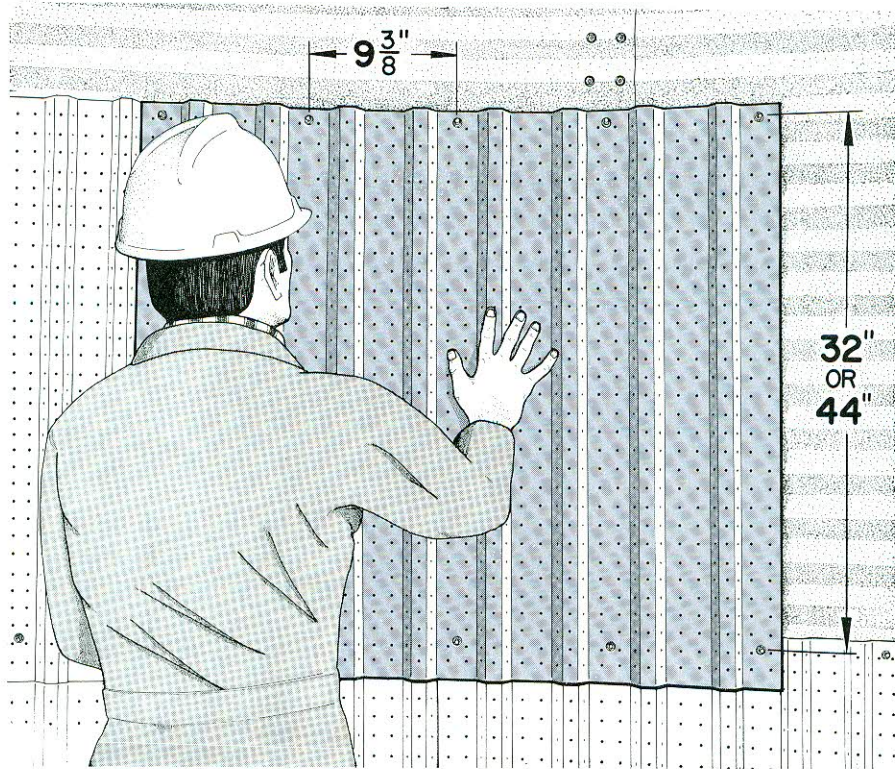


- Now solve condensation problems the easy way with NECO's revolutionary concept in liner design.
- Fabricated from 24 gauge **galvanized** steel – 60% heavier than the usual 28 gauge liner.
- These liners reduce the need for stiffeners, ordinarily required when using stirring and circulating machines.

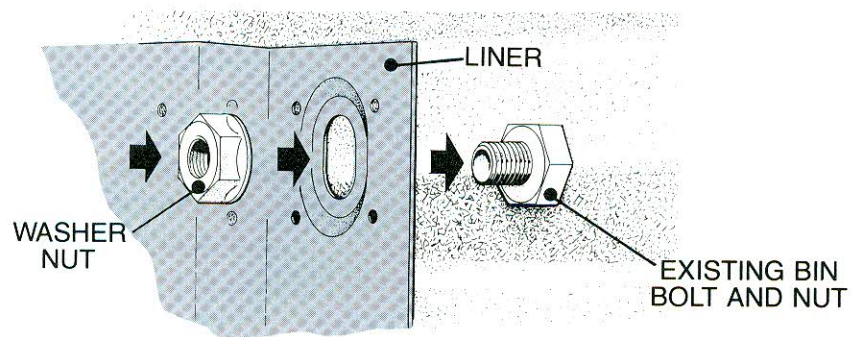
Manufactured by:



9364 N. 45th Street • Omaha, NE 68112  
Phone 800-367-6208 Fax 402-453-0471  
E-Mail: sales@necousa.com



- Sheets are made in sizes which make them easy to handle
- One man can install these liners in a day
- Sheets are pre-punched to slip over existing bin bolts.



---

**DEALER**